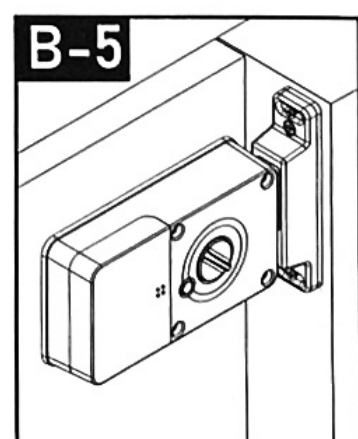
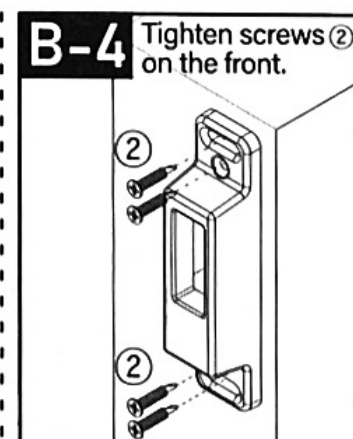
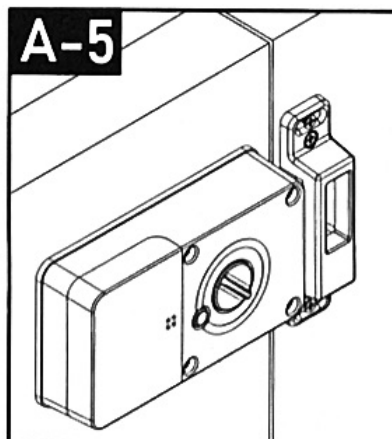
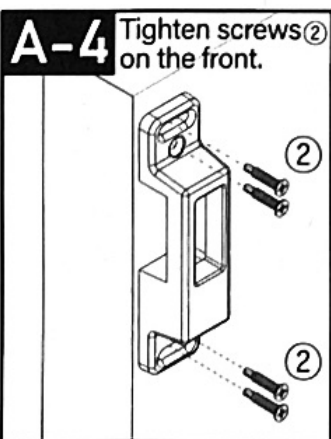
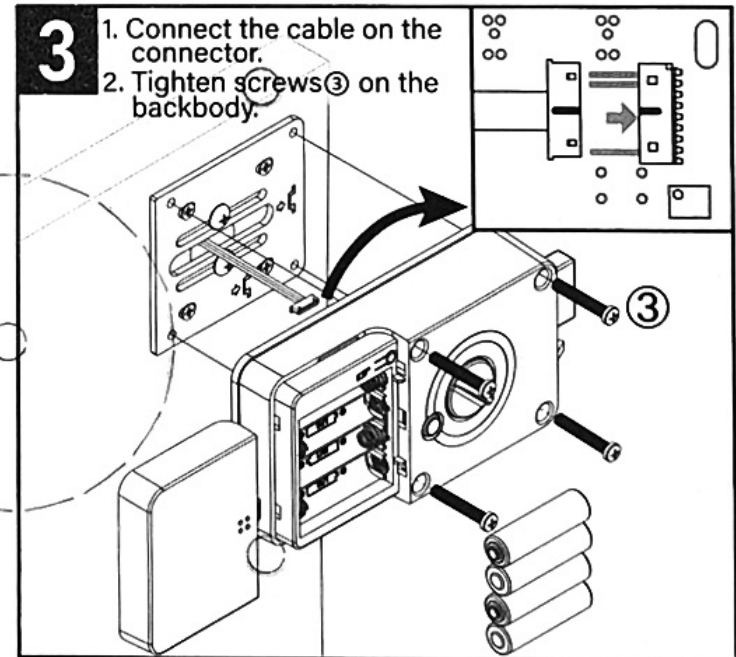
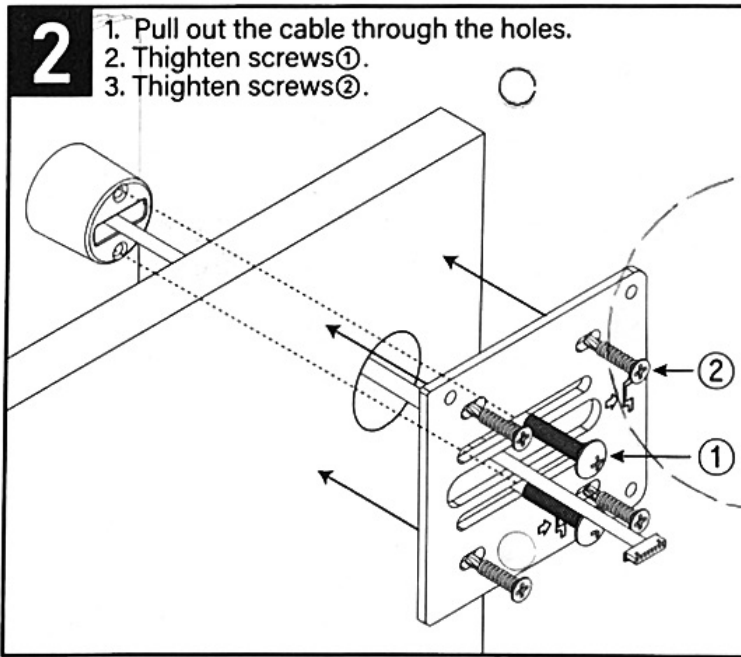
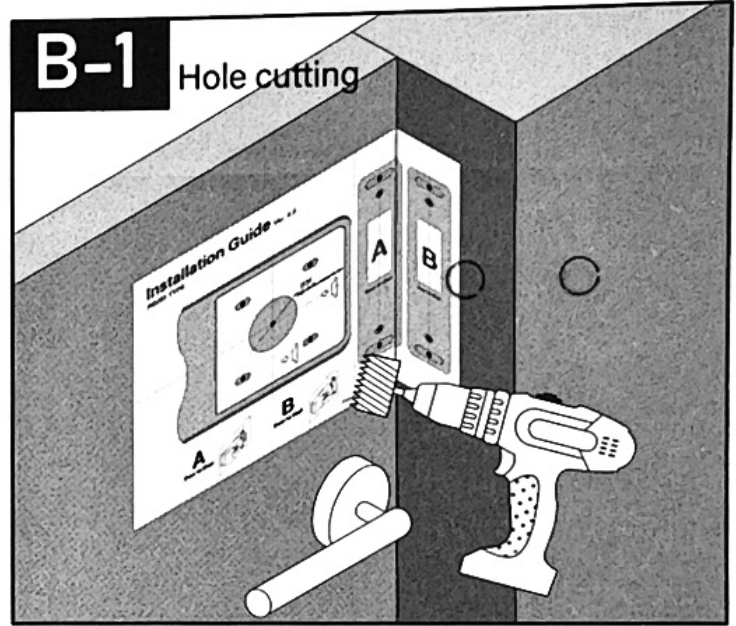
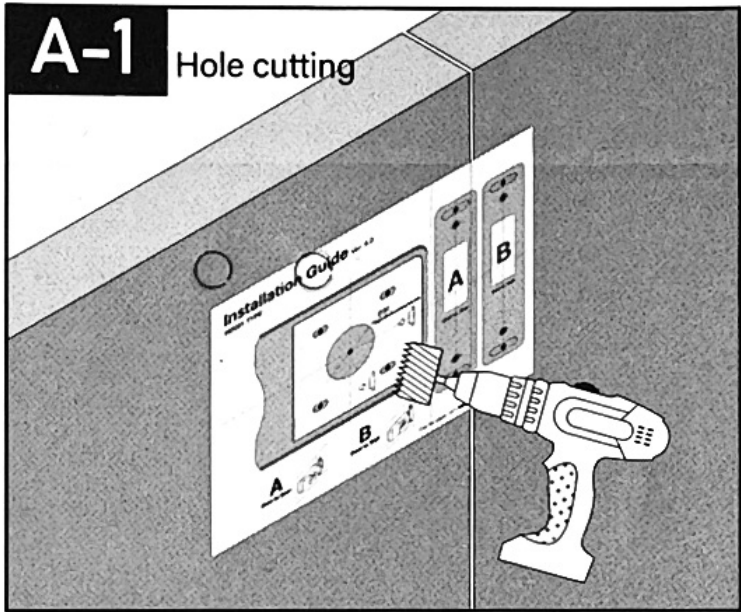
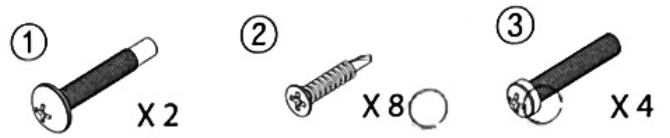


Installation Process

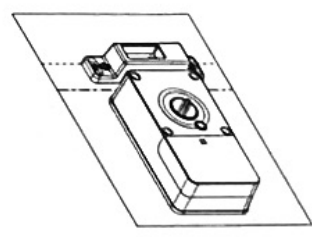
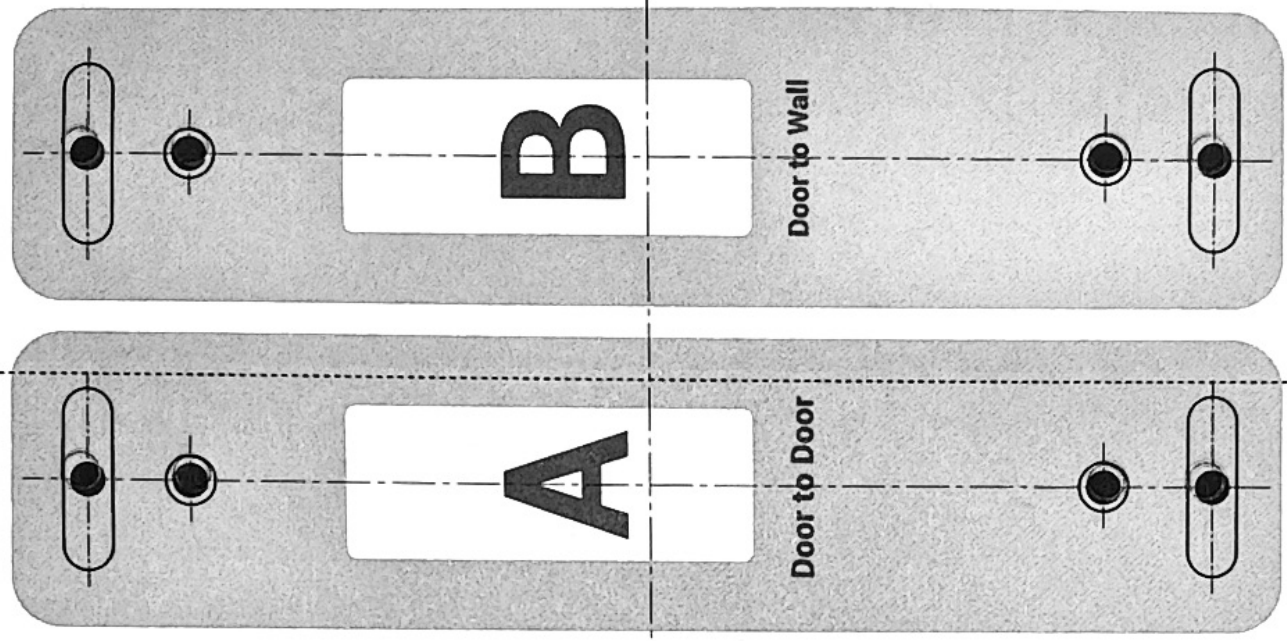
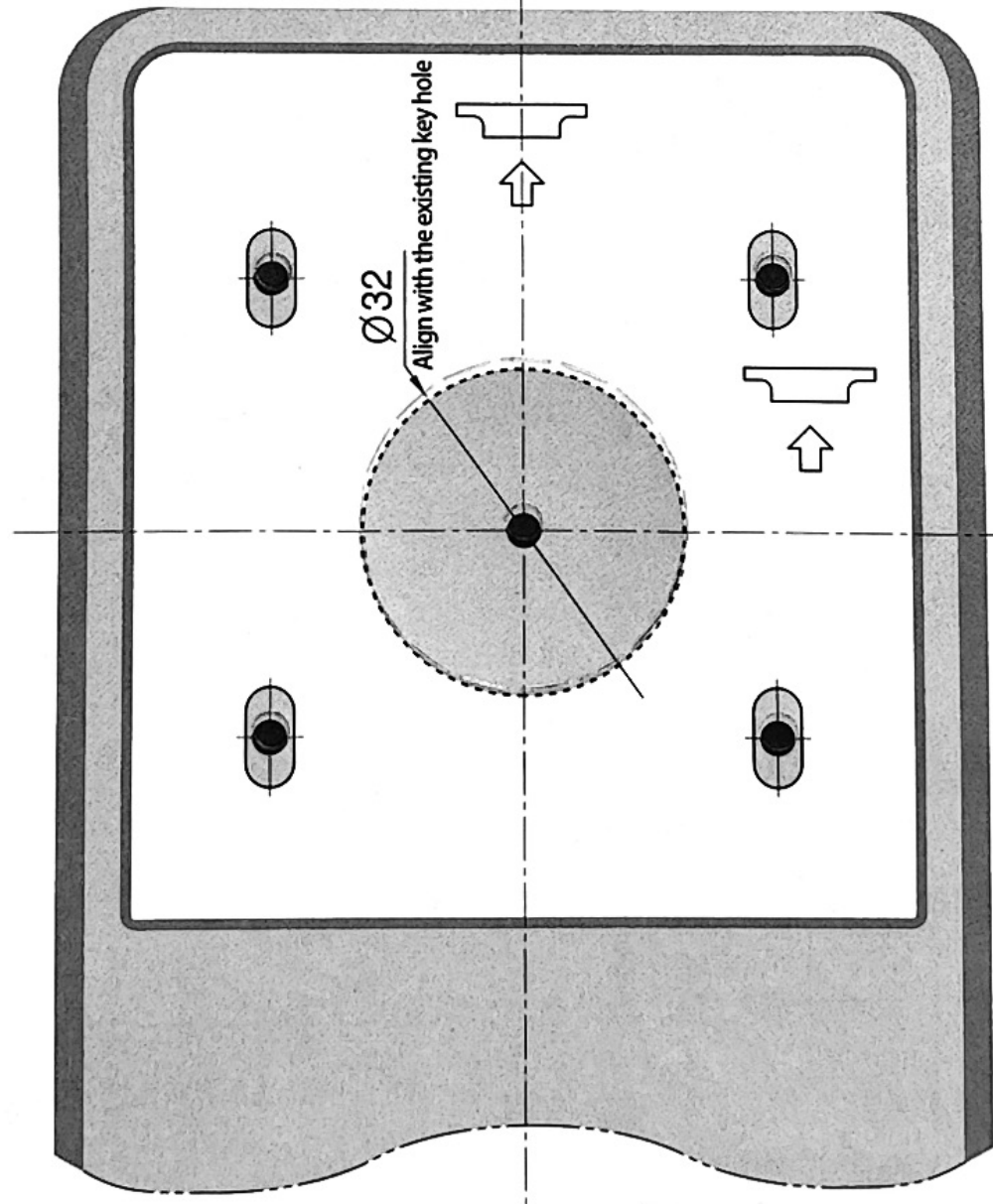
A type (Door to Door) **A-1** ▷ **2** ▷ **3** ▷ **A-4** ▷ **A-5**

B type (Door to Wall) **B-1** ▷ **2** ▷ **3** ▷ **B-4** ▷ **B-5**

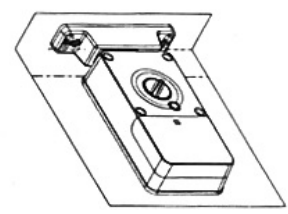


Installation Guide

RD201 TYPE Ver. 4.0



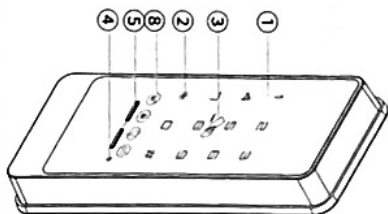
A
Door to Door



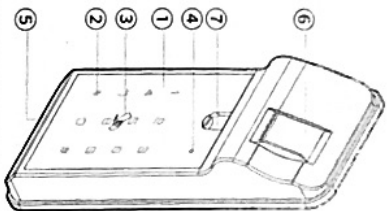
B
Door to Wall

Fold the paper (90°) →

- Outdoor body (Types and colors of indoor body will differ depending on the model.)



Touchpad type



Fingerprint recognition type

- ① Touch keypad
- ② Start/End button
- ③ Card/Key tag input
- ④ Reset button
- ⑤ 9V emergency power supply socket
- ⑥ Fingerprint input
- ⑦ Emergency key hole
- ⑧ External alarm icon (Applied model)

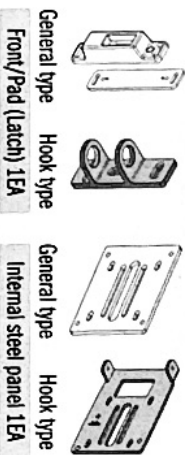


- Basic components (Check if your product contains all contents.)

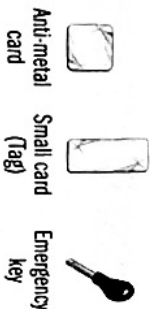
1 outdoor body / 1 indoor body /
1 user manual / 1 installation guide /
Bolt set / 4 AA batteries (Alkaline)



Caution
Remove the protection tape on the touch pad after digital door lock installation



- Extra accessories (Applied model)



Anti-metal card Small card (tag) Emergency key

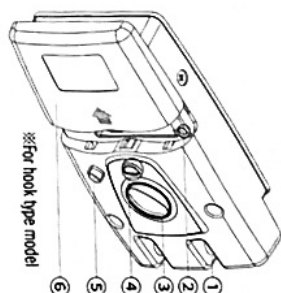
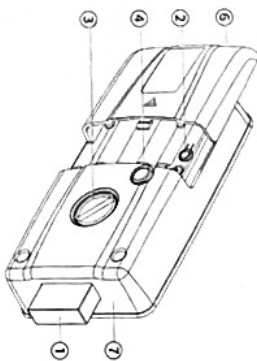
- Optional accessory sold separately (Applied model with remote control)



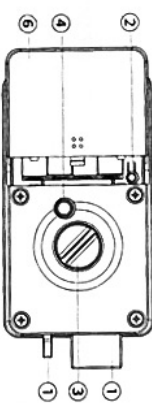
Remote control

Basic components (Extra accessories) and its quantity may differ depending on the product model (Opening/closing function).
Types and colors of card/key tag (Remote control) may change.

- Indoor body (Types and colors of indoor body will differ depending on the model.)



※For hook type model



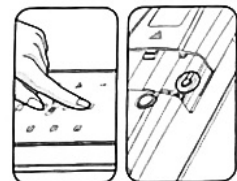
- ① Dead bolt (Latch)
- ② Input button ()
- ③ Manual opening and closing device
- ④ Open/Close button
- ⑤ Dual locking button
- ⑥ Battery cover
- ⑦ Auto lock internal sensor

- Open / Close button: One touch button which is used to open or close door from inside
- Input button (): Used when registering password or registering/deleting card/key tag or remote control.
- Manual opening and closing device: Used to manually open and close door (Use this function in case of fire or other emergencies)
- Dead bolt (Latch): Indoor latch for door lock
- Auto lock internal sensor: Built-in sensor which is automatically locked when auto lock is set
- Fire detection sensor: Built-in fire detection sensor to automatically open a door in case of fire (60°C±10°C)

1. Master Mode

Set in Master Mode

A. Setting master control password : Inputting Master control password is required when change password or register/delete cards/remotes.



1. Press "Input button" in the indoor body.
 2. Press "0" and "#" in order.
 3. Register a new master control password. (3~19digits)
 4. Press "*" button to complete. "Ding-dong" for success / "3 short Beep" sound for failure will occur.
- B. Changing master control password**
1. Press "Input button" in the indoor body
 2. Enter the Master control password and "*" button.
 3. Press "0" and "#" in order.
 4. Register a new master control password. (3~19digits)
 5. Press "*" button to complete.

※ In the state of Master mode, it always make two short beep sound whenever "Input button" is pressed.
※ Master control password can be used to unlock the door like the same way of user password.

Registering/Changing User Password In Master Mode

A. Registering User Password

1. Press "Input button" in the indoor body. (two short beep sound)
2. Enter the Master control password and "*" button.
3. Register User password and "*" button to complete. "Ding-dong" for success / "3 short Beep" sound for failure will occur.

B. Changing User Password

※ Change password in the same way as above. ※ When registering new password, previous password is automatically deleted.
※ Caution - Make sure that a door keeps being open when registering/changing password.
- Default factory password is set to "1234". Please update the password after installation.

- To go to the next stage, perform it before the lamp turns off (within 15 seconds).